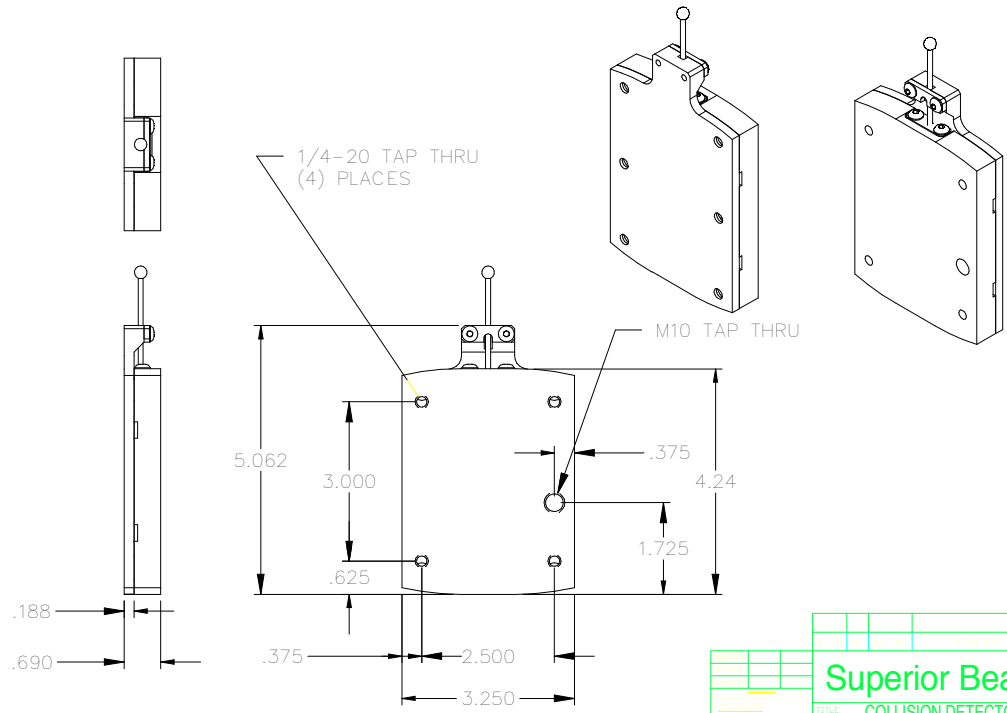


REV	DATE	BY	CHKD
1			
2			
3			



IT IS HEREBY AGREED AND UNDERSTOOD THAT THE INFORMATION CONTAINED HEREIN IS THE PROPERTY OF Superior Bearing Company, and shall not be used for any other purpose without the written consent of Superior Bearing Company.

DATE	REV

Superior Bearing

TITLE: COLLISION DETECTOR
MODEL CD3

REV: 2000

SCALE: 1" = 1" SHEET OF